

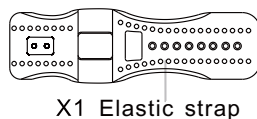
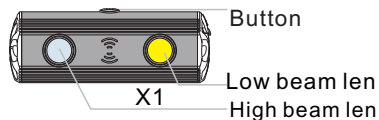
URBANEON

BIKE LIGHT



N650

User Manual

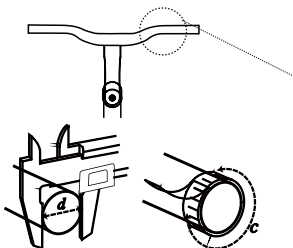
PARTS:



Reference data:

N650	Lighting Mode		Flashing Mode		SOS Flashing Mode	
 Max	4:28 h:min	225 lumens	6:40 h:min	225 lumens	10:00 h:min	225 lumens
 Max	2:10 h:min	450 lumens	3:10 h:min	450 lumens	4:50 h:min	450 lumens

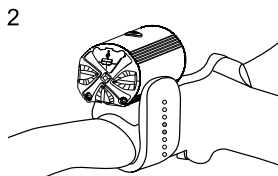
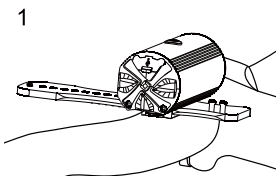
Fitment Check



Ensure the bar area to be installed is straight.

MATCHING BAR
D: 20mm~35 mm
C: 62.8mm~109.9mm

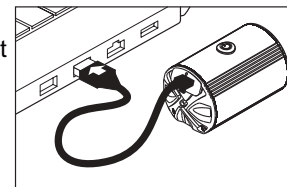
Mounting



Charging:

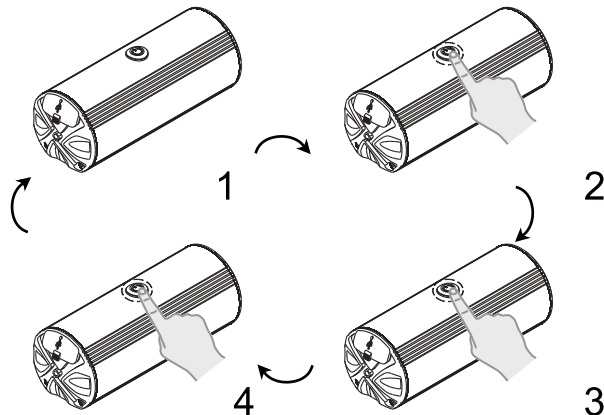
Before using your VOLO URBANEON LED for the first time, fully charge battery.

1. Turn OFF the light
2. Remove USB Protective Cover
3. Connect micro USB cable and light to powered USB port
4. Once charging, button will be on red. Light will be charged after 6 hours or when button turn green.
5. Remove light from Charger and reinstall USB protective cover, ensure USB protective cover is fully installed for water resistance.
6. For long period storage, it is important to charge the battery 30 minutes every 6 months.



Warning: When light is on, the metal body will become hot, please do not touch it.

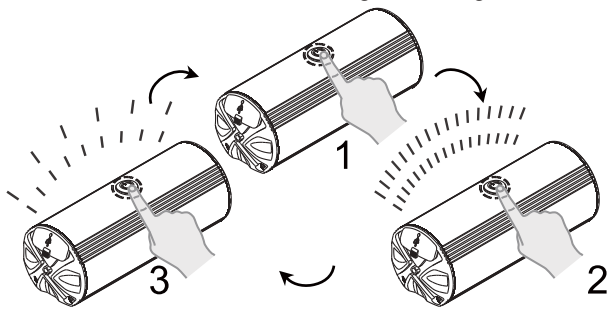
"Light on" mode:



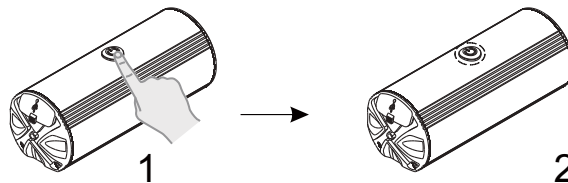
Single click the button to entry "light on" - "light off" mode.

"Flashing" mode:

In "light on" mode, double click the button each time to switch to "light flashing mode".



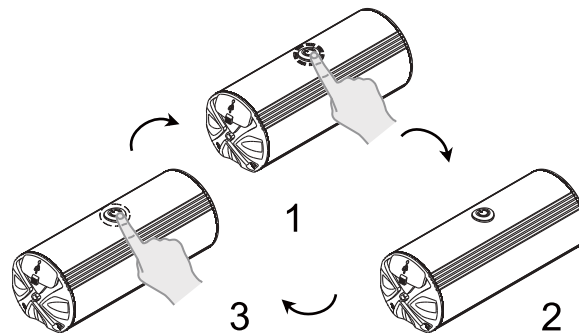
Hold the button in "Light on" / "Flashing" mode to adjust the brightness of the light.



Mode Memory: The light remains in the adjusted brightness when it is switched off.

Factory Data Reset:

Triple click the button when light is on. "URBANEON" will turn off and restore factory default setting. (MAX brightness).



VOLO carry a one (1) year warranty from the original purchase date to the original owner (proof of purchase required). VOLO batteries carry a six (6) month warranty from the original purchase date. VOLO warranties cover any manufacturing defects in materials or workmanship. Issues not covered by warranty include normal wear & tear, improper installation, attempting to access or modify electronics, damage or failure due to accident, misuse, abuse and/or neglect. For all warranty issues worldwide, please contact the retailer that sold the product. For any warranty questions contact: info@volo.hk.

VOLO BIKE PRODUCTS LIMITED

<http://www.volo.com.hk>

address: Room 206, Huayuan Business Center, No. 347 Xixiang Road, Bao'an District, Shenzhen, Guangdong, China.

Phone: +86 755 29558017
 Fax: +86 755 22631887
 E-mail: sales@volo.com.hk

VOLO freedom to fly
 VOLO bike



Design by VOLO
 Made in china